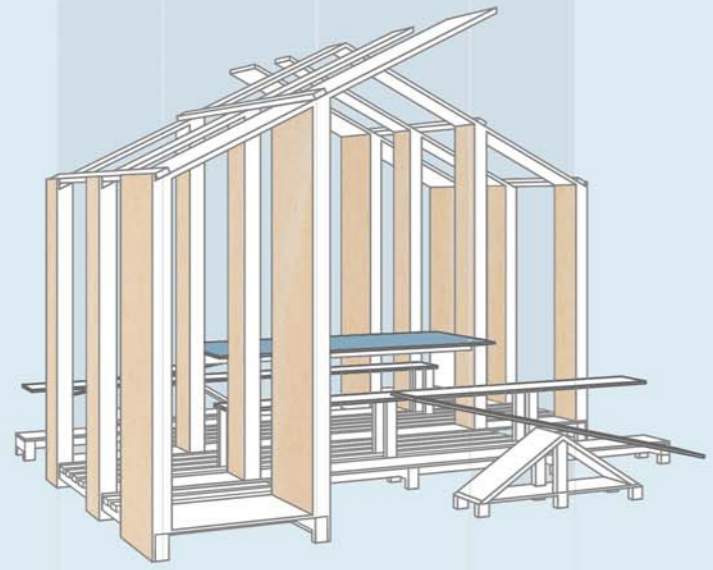
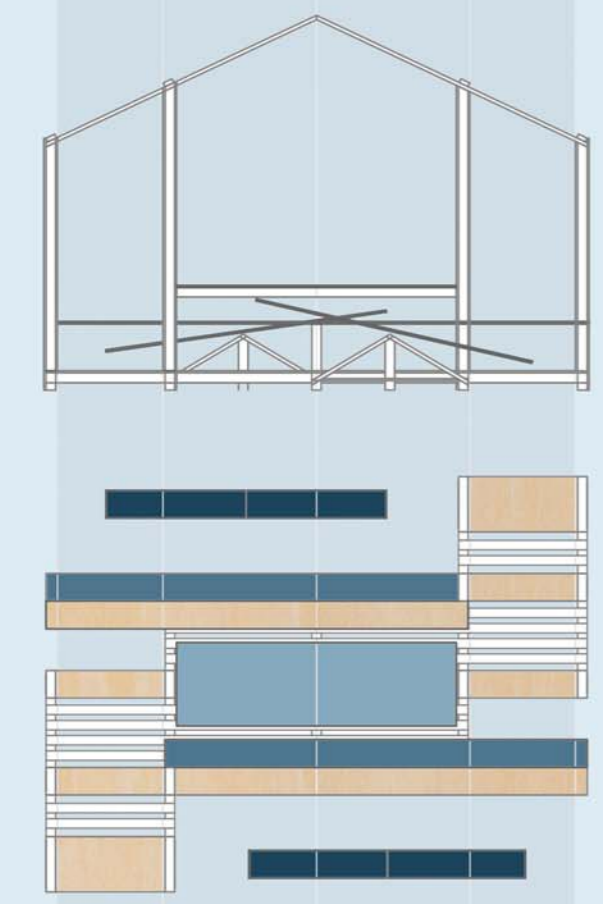
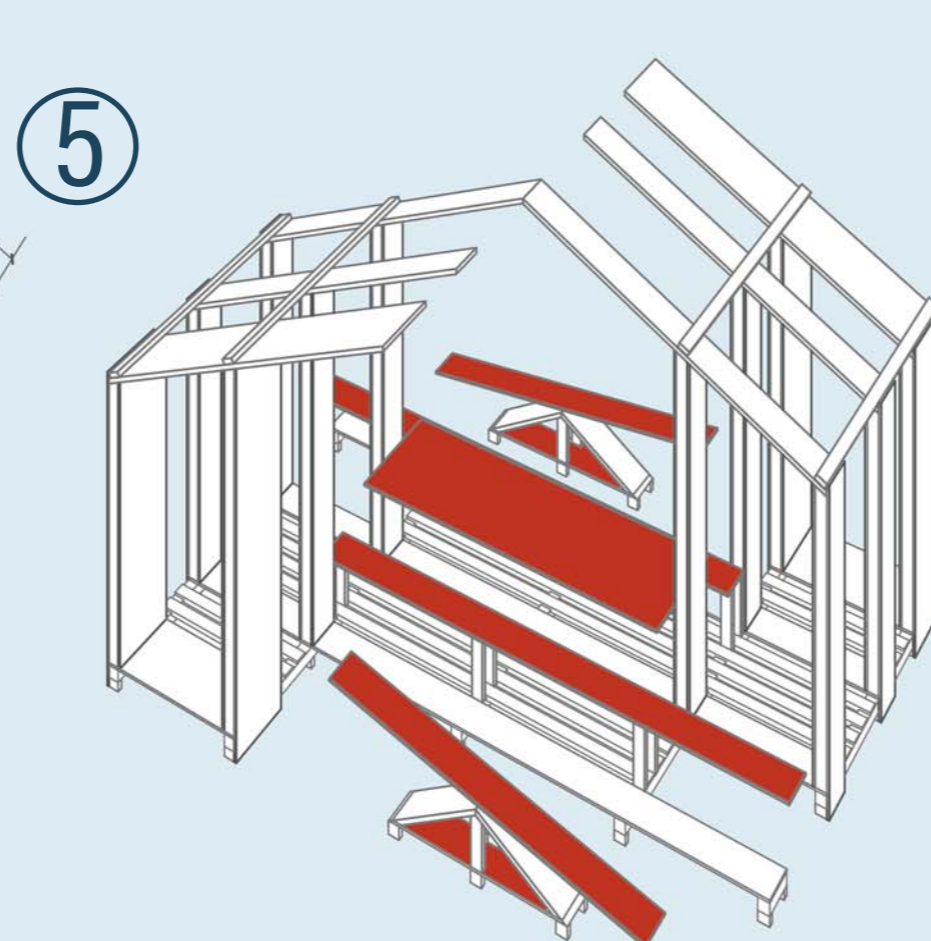
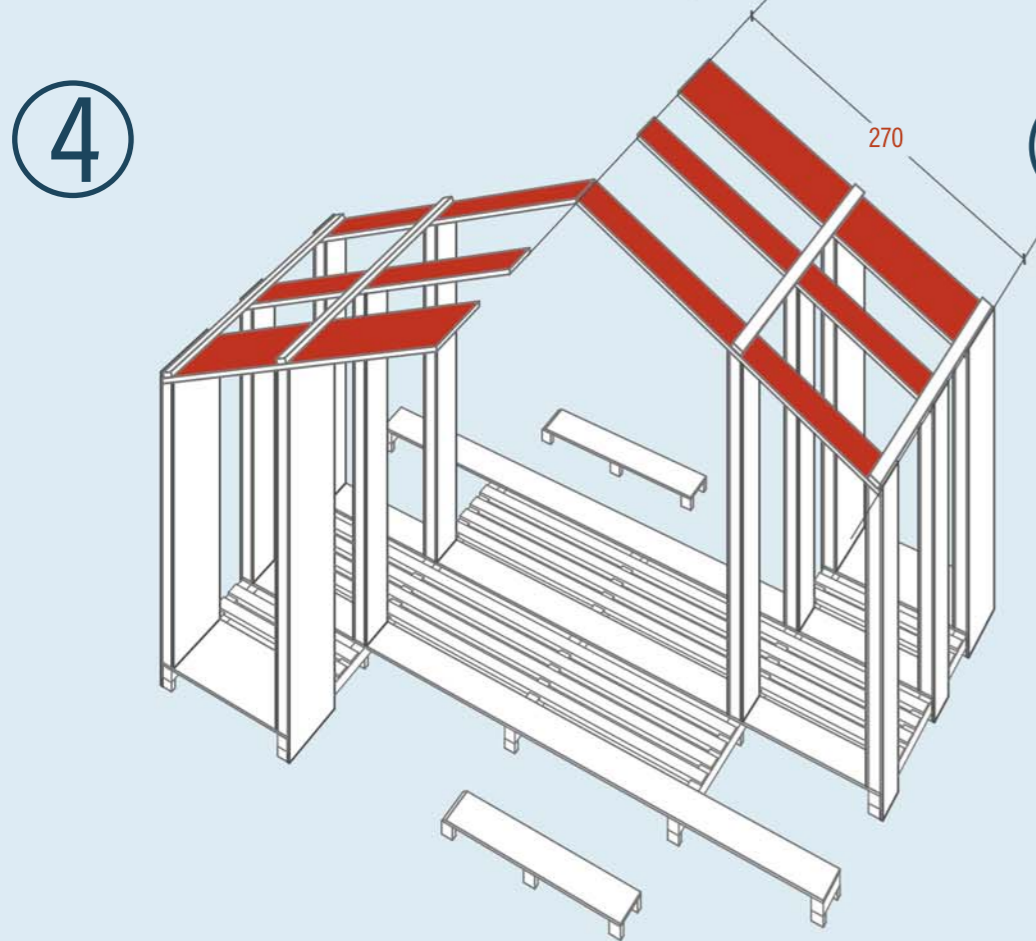
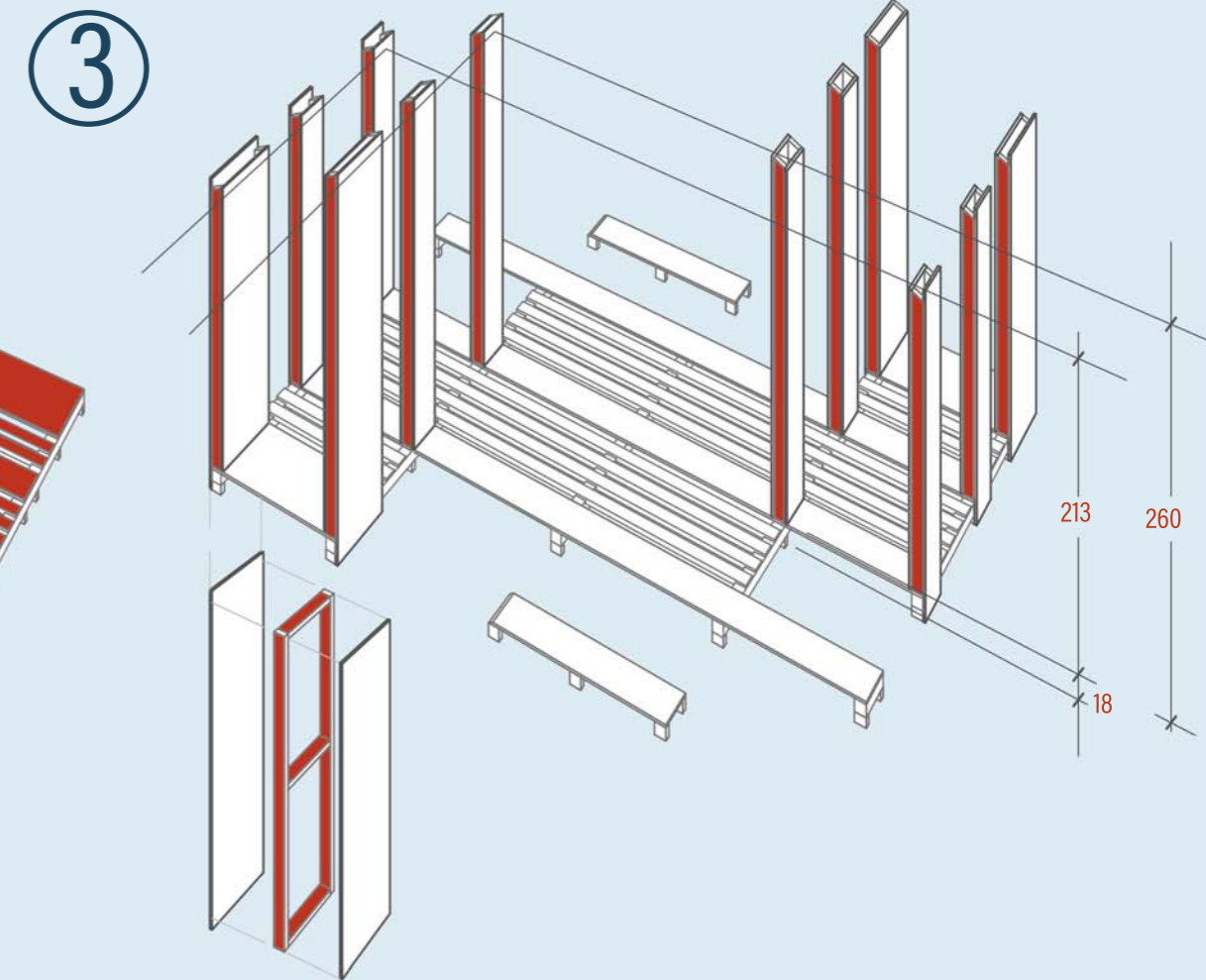
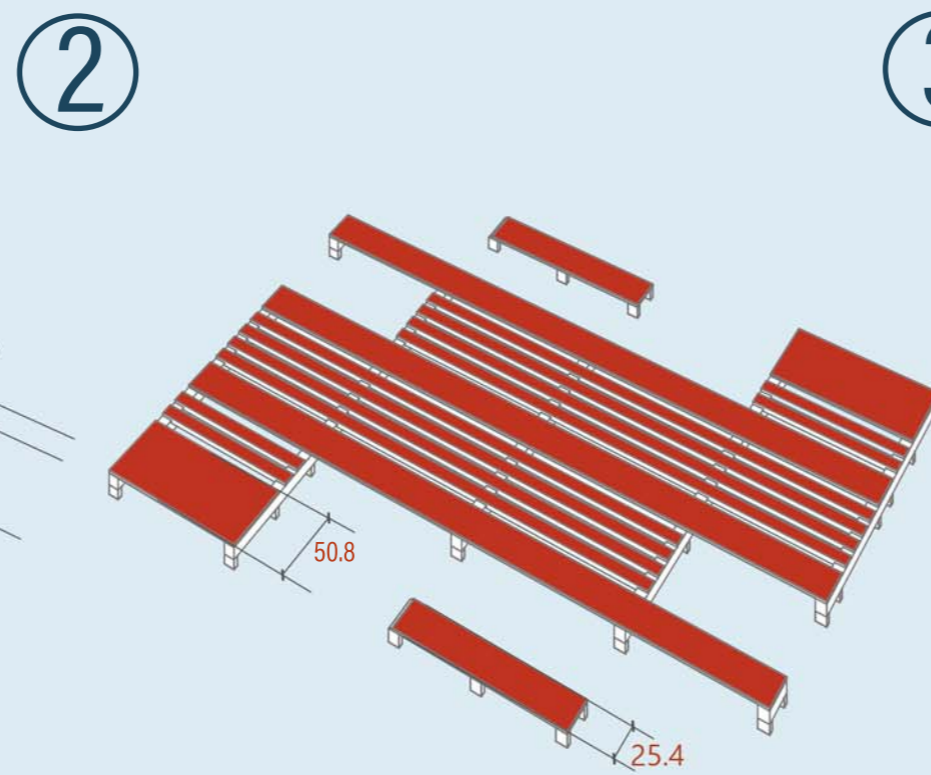
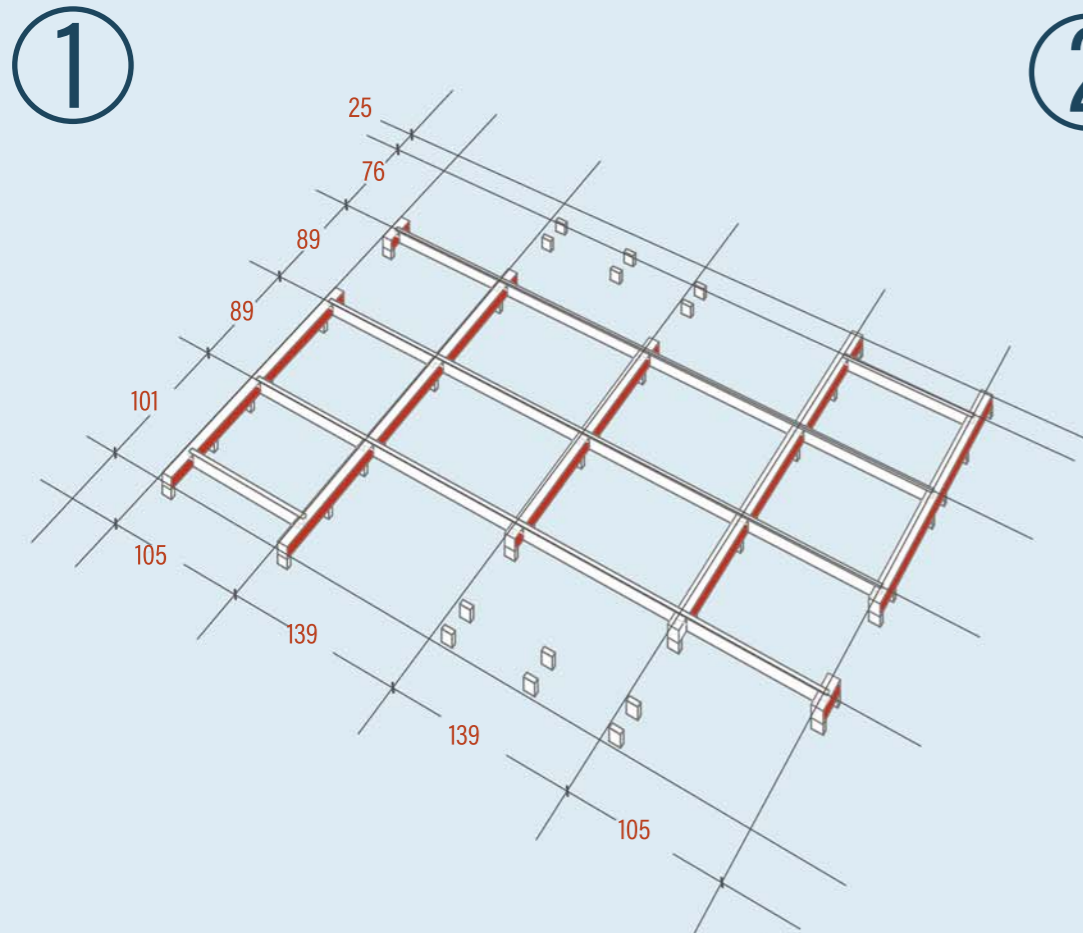


movement and reflection



Using mirrors and moving seesaws visitors experience the phenomena of architecture. Presentation of Lausanne's Candidature is displayed in the 'hallways' of the pavilion.



furniture

